

1. Introduction

The **KT-PC4108** is a zone input module that adds up to 8 fully programmable zones to the **KT-300** door controller.

2. Specifications

- Connects to the controller via 4-wire Combus
- Current Draw: 30 mA (from Combus)
- Supports single end-of-line (5600 ohm resistors) and no end-of-line zone loops.
- AUX+ output: 12VDC, 250mA max. (drawn from Combus)
- Tamper contact input
- UL listed

3. Installing the KT-PC4108 module

Unpacking

The **KT-PC4108** package includes the following parts/items:

- One (1) KT-PC4108 circuit board - 9.2 cm X 3.3 cm (3 5/8" X 1 1/4")
- Sixteen (16) end of line resistors (5600 ohms)
- Three (3) plastic standoffs with adhesive
- One (1) installation instructions sheet

Mounting

The **KT-PC4108** should be located inside a compatible cabinet (Kantech part no. KT-4051CAB), mounted in a dry, secure location. It should preferably be placed at a convenient distance from the connected devices.

Perform the following steps to mount the unit:

1. Secure the cabinet to the wall in the desired location. Use appropriate wall anchors when securing the cabinet to drywall, plaster, concrete, brick or other surfaces.
2. Insert the three (3) plastic standoffs in the holes on the circuit board.

Remove the protective film from the plastic standoffs and attach the circuit board to the cabinet.

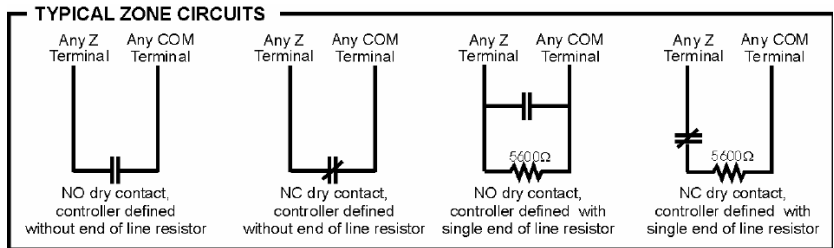
Installation and Wiring

Before beginning to wire the unit, ensure that all power (AC transformer and battery) is disconnected from the controller.

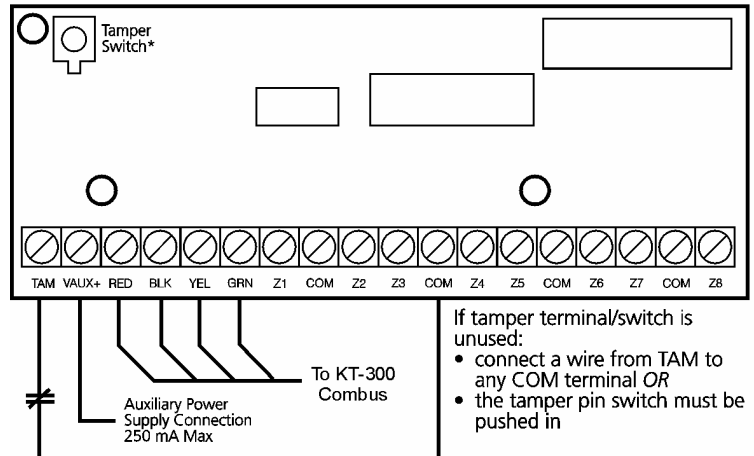
Perform the following steps to complete wiring (Consult the above wiring diagram for further information.):

1. Connect the four Combus wires to the KT-PC4108. Connect the red, black, yellow and green Combus wires to the RED, BLK, YEL and GRN terminals, respectively.
2. Complete all zone wiring to the zone input terminals (Z1-Z8). See the KT-300 Installation Manual for details on zone wiring configurations.
3. Connect the external tamper switch, if used.

Consult the wiring diagram at the top right for more information.



PC4108A



Applying Power

After all wiring is completed, apply power to the controller. Connect the battery leads to the battery, and then connect the AC transformer.

Note: Do not connect the power until all wiring is complete.

4. Assigning the module

Once all wiring is complete, the module must be assigned to the system. To assign the module, perform the following steps:

1. Establish communication between EntraPass and the controller.
2. Remove the tamper switch wire (or only the wire if tamper switch is not used). If there is no connection to the TAM input, use the **Tamper Switch** button to generate an event.
3. An event will be displayed on the EntraPass workstation Desktop Message screen, indicating the module serial number, type and on which controller it is connected.
4. From the software, select the functionality of the module and enter the serial number in the appropriate field (see your software reference manual under controller definition -- Assigning modules for more details).

Note: Don't forget to reconnect the tamper switch (or the wire, if there is no tamper switch)

Terminal Connections

Module no.: _____

Date of installation: _____

KT-300 NAME: _____

KT-300 SITE NAME: _____

KT-300 SERIAL NUMBER: _____

AUX: _____

COMBUS (FROM): _____

COMBUS (TO): _____

Z1 (Z9): _____

Z2 (Z10): _____

Z3 (Z11): _____

Z4 (Z12): _____

Z5 (Z13): _____

Z6 (Z14): _____

Z7 (Z15): _____

Z8 (Z16): _____

Note: Zones 1 to 8 are named zones 9 to 16 in your software.



FCC & IC COMPLIANCE STATEMENT

CAUTION: Changes or modifications not expressly approved by Kantech Systems Inc. could void your authority to use this equipment.

This equipment generates and uses radio frequency energy and if not installed and used properly, in strict accordance with the manufacturer's instructions, may cause interference to radio and television reception. It has been type tested and found to comply with the limits for Class B device in accordance with the specifications in Subpart "B" of Part 15 of FCC Rules, which are designed to provide reasonable protection against such interference in any residential installation. However, there is no guarantee that interference will not occur in a particular installation. If this equipment does cause interference to television or radio reception, which can be determined by turning the equipment off and on, the user is encouraged to try to correct the interference by one or more of the following measures:

- Re-orient the receiving antenna
- Relocate the alarm control with respect to the receiver
- Move the alarm control away from the receiver
- Connect the alarm control into a different outlet so that alarm control and receiver are on different circuits.

If necessary, the user should consult the dealer or an experienced radio/television technician for additional suggestions. The user may find the following booklet prepared by the FCC helpful: "How to Identify and Resolve Radio/Television Interference Problems". This booklet is available from the U.S. Government Printing Office, Washington, D.C. 20402, Stock # 004-000-00345-4. This device complies with Part 15 of the FCC rules. Operation is subject to the following two conditions: (1) this device may not cause harmful interference, and (2) this device must accept any interference received including interference that may cause undesired operation. This class B digital apparatus meets all requirements of the Canadian Interference Causing Equipment Regulations. The KT-300 is also compliant with EN55022: 1994, amendment 1: 1995, Class B.