

2-Wire/3-Wire in-Wall Dimmer Module



The AD146 is an inwall module to dim and turn on/off home lighting appliances by wireless control. Compact in design, yet certified for safety by makes it suitable for installation in cramped electrical box located behind wall switches. Supporting Z-Wave Plus technology, it is fully compatible with other Z-Wave Plus controllers to create a smarthome environment.

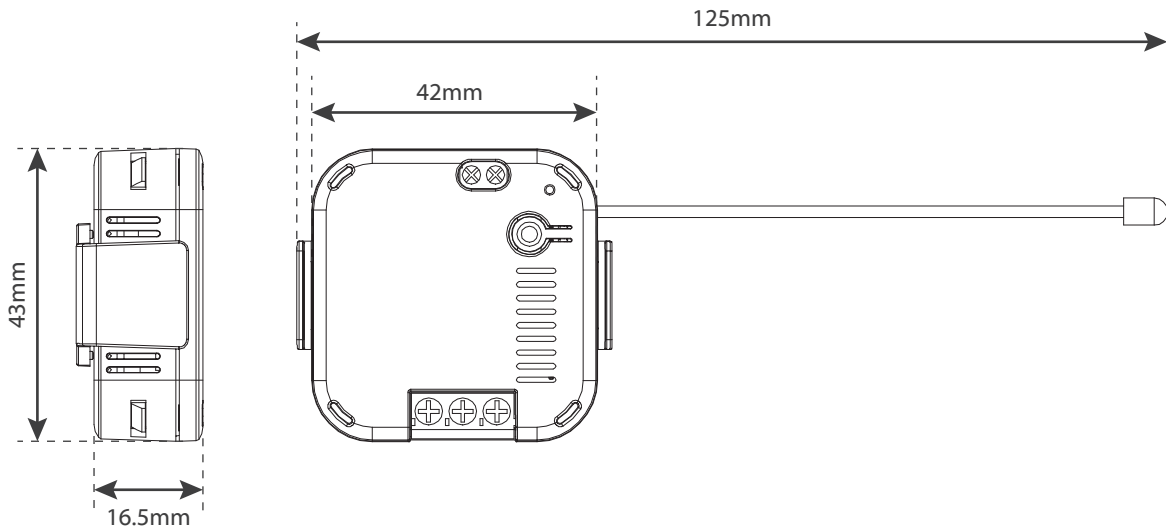
Main Features

- Adjust brightness level of home lighting by wireless control
- Suitable for 3-wire and 2-wire (no neutral) connections
- Support max. 300W incandescent load, min. 6W dimmable LED lamp
- Dry contact interface to 1-gang wall switch; rocker and momentary types
- Z-Wave Plus wireless technology SDK 6.5x
- LED indicator and button for pairing
- Remembers last dimming and status before power cut
- Hardware overload protection
- Compact size, fits in wall box of major European countries



Brief Product Specifications

| | | | |
|-----------------------|--|-----------------------|-------------------------|
| Function | 2-wire/3-wire in-wall dimme module | Power input | AC220V - 240V / 50Hz |
| Frequency range | 868.42 MHz | Operation temperature | -10 - 40°C |
| RF protocol | Z-Wave Plus | Operation humidity | 85% RH max |
| RF range (open space) | >100m | Dimension (mm) | 42(W) x 43(D) x 16.5(H) |
| Max load | 300W resistive load 300W incandescent load 200W fluorescent load 120W LED load (non-dimmable) | Weight | 34g |



EVERSPRING®
Everspring Industry Co., Ltd.

Copyright © 2017 by Everspring Industry Co., Ltd. All rights reserved. The Everspring name and logo are registered trademarks of Everspring Industry Co., Ltd. All other trademarks and brand names are the property of their respective owners. Everspring reserves the right to revise product specifications and literature at any time without prior notice to any party.

Confidentiality Statement

The purpose of this document is to provide general information about a product or products of Everspring Industry Co., Ltd. All information contained in this document is the confidential property of Everspring Industry Co., Ltd. Except where expressly authorized by Everspring Industry Co., Ltd., alteration, reproduction, redistribution, or transmission of this document by any means is strictly prohibited.

3F, No.50, Sec.1, Zhonghua Rd., Tucheng Dist.,
New Taipei City 23666, Taiwan

Tel: +886-2-2260-6868
Fax: +886-2-2260-1313

Web: www.everspring.com
E-mail: sales@everspring.com