

# MPT200

## Body Worn Camera



- 2.8 inch touch screen, 4-core 1.3GHz CPU
- Support 1080P/25fps recording, image resolution up to 3400W
- Horizontal field 120°
- Support laser positioning LED light, IR mode, OSD overlay, pre-record and post-record, one-key operation
- Support 4G, WIFI, NFC, bluetooth, GPS, GLONASS, Beidou and compass
- Battery capacity is 3200MAh (4.35V), support change battery without power loss in 15 minutes
- Support IP67, drop proof 2 meters



### System Overview

MPT200 is a body worn camera which can be used as a law-enforcement video recoder. This device support one-key to start 1080P high-definition real-time recording, and all the information such as GPS and video can be uploaded to VMS by wireless network: 3G/4G/WIFI. It can also support audio communication between devices in one group. The supported wireless network band are below:

CDMA EVDO:BC0

GSM: B2/B3/B8

WCDMA: B1/B2/B8

TD-SCDMA: B34/B39

LTE-FDD: B1/B2/B3/B4/B7/B8/B20

LTE-TDD: B38/B39/B40/B41

This individual portable audio&video recoder designed for particular fields or departments, such as police, military, urban management, forensic, insurance, energy resources and etc.

### Functions

**One key recording and remote live monitor**  
Press one key to trigger to start audio or video recording, and with wireless network, the video can be sent to VMS, and on VMS client, it can do remote live monitor.

#### Group talking

Administrator can build groups and add different users into one group, users can talk and send message to other members in this group.

#### 3G/4G/WIFI

Embedded with 3G/4G/WIFI module, the device can register into a public network to connect with VMS, and can send all the information(video/audio/alarm/gps) through wireless network.

#### GPS

Embedded GPS module can receive location information and upload to VMS, and the user can be tracked on the electric map of VMS.

#### Alarm push

When in emergency, users can press the alarm button to trigger an alarm and send to VMS, besides, with the gravity sensor, it can also trigger an alarm on the device when the device falls down.

## Technical Specification

### System

Main Processor	1.3G 4-core CPU
Operating System	Android 5.1

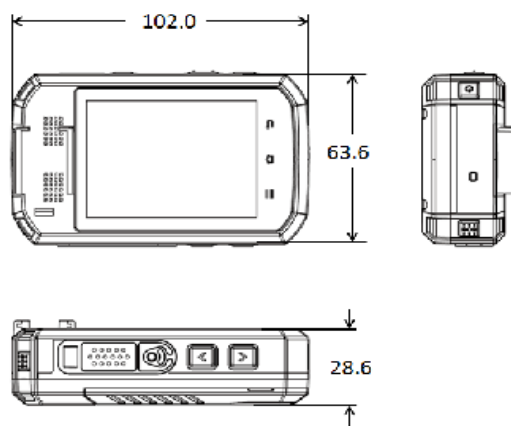
### Video

Record Resolution	1080P/720P/WVGA
Compression	H.264
Image Sensor	34 mega-pixel (7808x4392)
Wide-angle	120°
IR	3m~10m, support auto/manual mode to switch
Digital zoom	8x
Pre-record	≤60s
Post-record	≤60s
Laser positioning	Support
Key event mark	Support to mark the important video
OSD overlay	Support to overlay the recording time/ID/GPS etc

### Storage

RAM	2G
ROM	32G
TF card	Support

## Dimensions (mm)



### Screen

Dimension	2.8 inch HD screen
-----------	--------------------

### Auxiliary interface

USB	1 micro USB, support OTG
SIM card slot	1 micro SIM card slot

### Network

Positioning system	GPS/GLONASS/BEIDOU/AGPS
Cellular	Support 4G(FDD-LTE)
WiFi	Support 802.11 a/b/g/n, support 2.4G/5G
NFC	Support
Bluetooth	Support Bluetooth 4.1

### Battery

Capacity	3200mAh
Standby Time	5 days
Recording Time	8 h(25fps@1080P)
Charging Time	≤ 3 hours, 5V fast charging
Battery change	Support

### General

Ingress Protection	IP67
Drop proof	2 meters
Working temperature	-30 C ~55 C
Dimension(mm)	102x63.6x28.6mm
Weight	220g(with clamp)